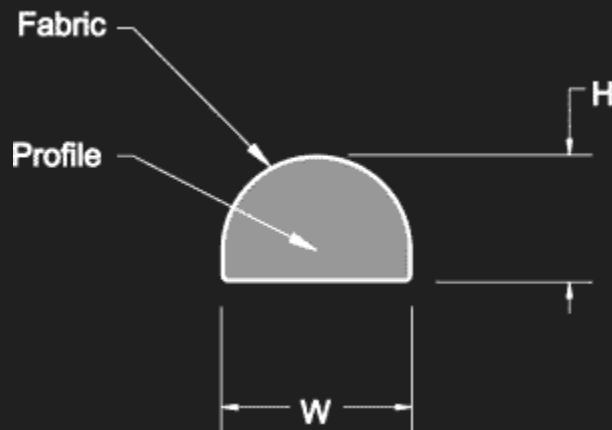


## D-Shaped Profile Gaskets



Profile	H	W
PD1215	.120 (3.0mm)	.150 (3.8mm)
PD1425	.140 (3.6mm)	.250 (6.4mm)
PD2538	.250 (6.4mm)	.375 (9.5mm)
PDXXXX	Custom	Custom

We can make any custom profile gasket.

JEMIC's standard E-Series [profile gaskets](#) contain a closed cell foam core wrapped with a plated fabric. Our fabric-over-foam continuous strip gaskets have excellent shielding effectiveness (SE), high durability, low compression set and low resistance.

Shielding Effectiveness	> 85dB attenuation from 20 MHz to 10 GHz
Electrical Resistance	< 0.1 Ohms/Sq
Compression Deflection	< 1 lb/in
Compression Set	15-19 percent 15 percent at 70 °F. (21 °C.) 19 percent at 158 °F. (70 °C.)
Service Temperature	-40 °F. (-40 °C.) to 158 °F. (70 °C.)

## Custom Manufacturing Options for D Gaskets

At JEMIC we offer a unique manufacturing process with all of our electronic shielding products that allows for standard performance and customized options. With optimized production techniques, new shielding gaskets can be produced in just a few weeks.

### Note

The application and gasket geometry may influence shielding effectiveness, compression deflection and compression set.